



Cassette one drawer

Shallow depth drawer + cover top



Applications

- Highly ergonomic storage solution, right at the point of use
- Matchbox Drawers provide access from both sides of a central island unit
- Ideal for meat, deli and dessert prep
- Perfect storage for garnish and 'mise en place' generally

Storage Capacity

Gastronorm (GN) Pans
4 x 1/1 GN
75 mm Deep
or equivalent (per Drawer)

Maximum Weight
30 kg of Food (per Drawer)

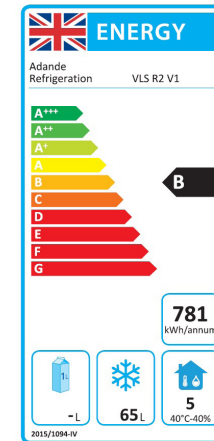
Volume
65 Litres (per Drawer)

Hydrocarbon R600a Refrigerant

Shallow drawer

'B' Energy Rating
in Freezer Mode

'A' Energy Rating
in Fridge Mode
(Consumption 325
kWh/annum)



Climate Testing

Tested to Climate Class 4
(30°C & 55% relative humidity)
for temperature and energy
consumption and to Climate
Class 5 (40°C & 40% relative
humidity) for temperature

Electrical

Mains Supply
230 Vac 50 Hz

Power Socket (included)
Correct 2 or 3 Pin Plug
fitted for each country

Mains Lead (included)
2 Metre Coiled Lead





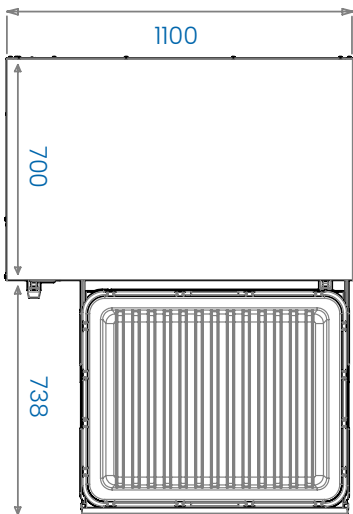
Options

SHALLOW DRAWER CASSETTE + SOLID WORKTOP (W)	Flat base (FB)	
Finished height	369 mm	VLS1/FBW
Load-bearing capacity	Check weight capacity of cook range or other fabricated housing of the Adande Cassette unit	

SHALLOW DRAWER CASSETTE + COVER TOP (T)	Flat base (FB)	
Finished height	360 mm	VLS1/FBT
Load-bearing capacity	Check weight capacity of cook range or other fabricated housing of the Adande Cassette unit	

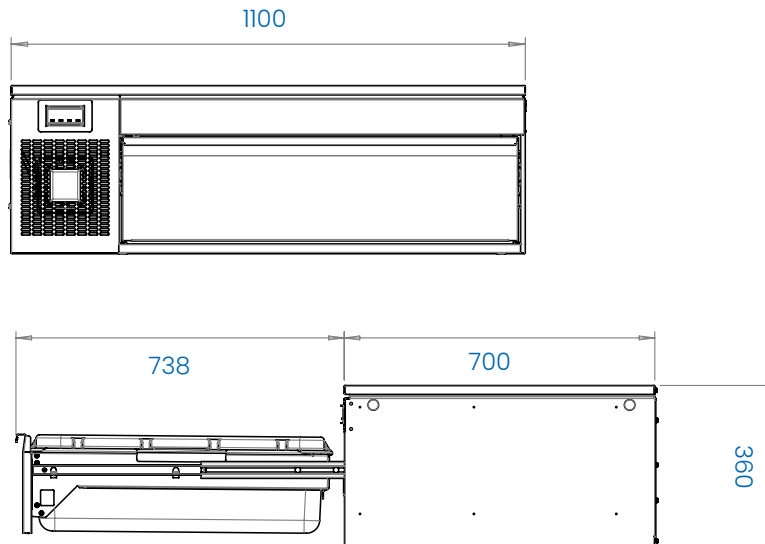
Plan View

Shallow drawer cassette (VLS1)
With open drawer



Elevation

Shallow drawer cassette (VLS1)
Flat base (FB)
Cover top (T)
VLS2/FBT



Tops



Drawer Module



Base

